

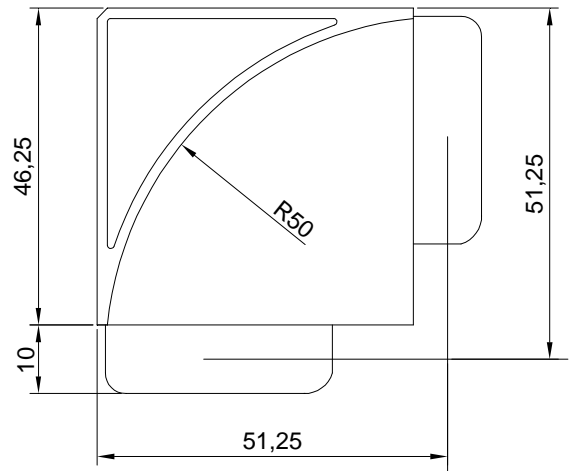
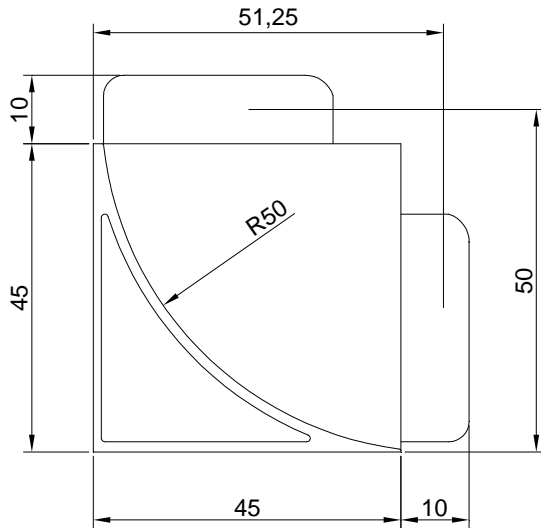
## OWAtecta CleanRoom - Accessories



**System:** L – rounded and Q – adjustable

**Description:** W14 inside corner

**Connection:** round corner/floor (L), round corner /ceiling (L, Q)



- **Material:** aluminium alloy EN AW-6063 acc. to EN 573-3, metallurgic state T5 acc. to EN 515;

- **Coatings:**

- anodic coating  $15 \pm 5 \mu\text{m}$
- powder coating 80 do  $100 \mu\text{m}$

