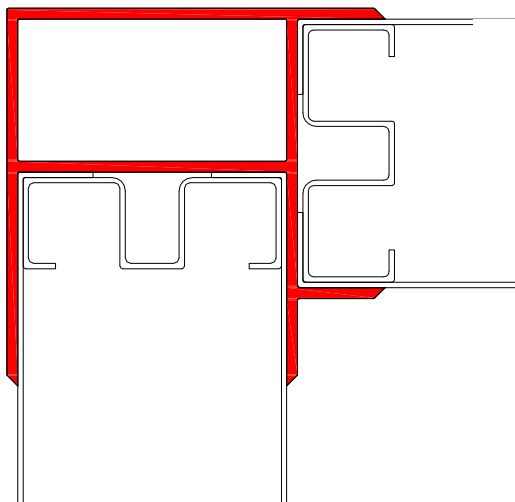
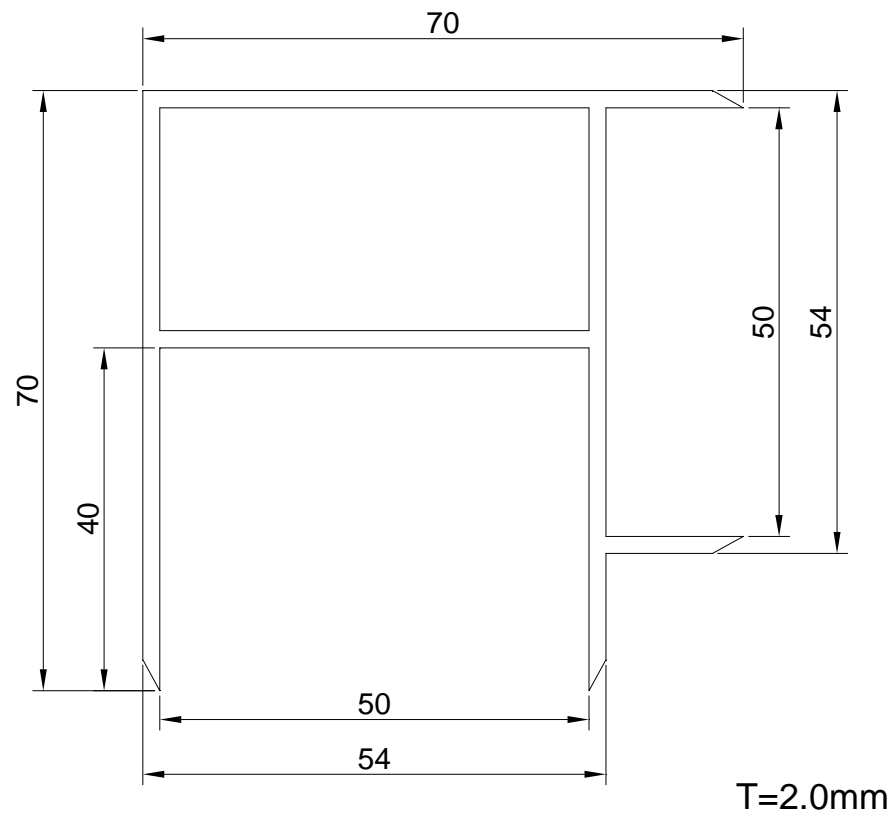


OWAtecta CleanRoom - Accessories



System: U – standard

Description: W 3 aluminium right angle corner



- **Material:** aluminium alloy EN AW-6063 acc. to EN 573-3, metallurgic state T5 acc. to EN 515;
- **Coatings:**
 - anodic coating $15 \pm 5 \mu\text{m}$
 - powder coating 80 do 100 μm