

# OWAtecta cleanRoom partition system System: standard U (LBU)

Partition code: L(A,B,C,X)U

- the first letter of the code L: prefix for partition wall

- the second letter of the code describes a core type:

A - core of panel made of aluminum honeycomb,

B - core of panel made of paper honeycomb,

C - core of panel made of mineral wool,

X - core of panel made of (XPS) foam,

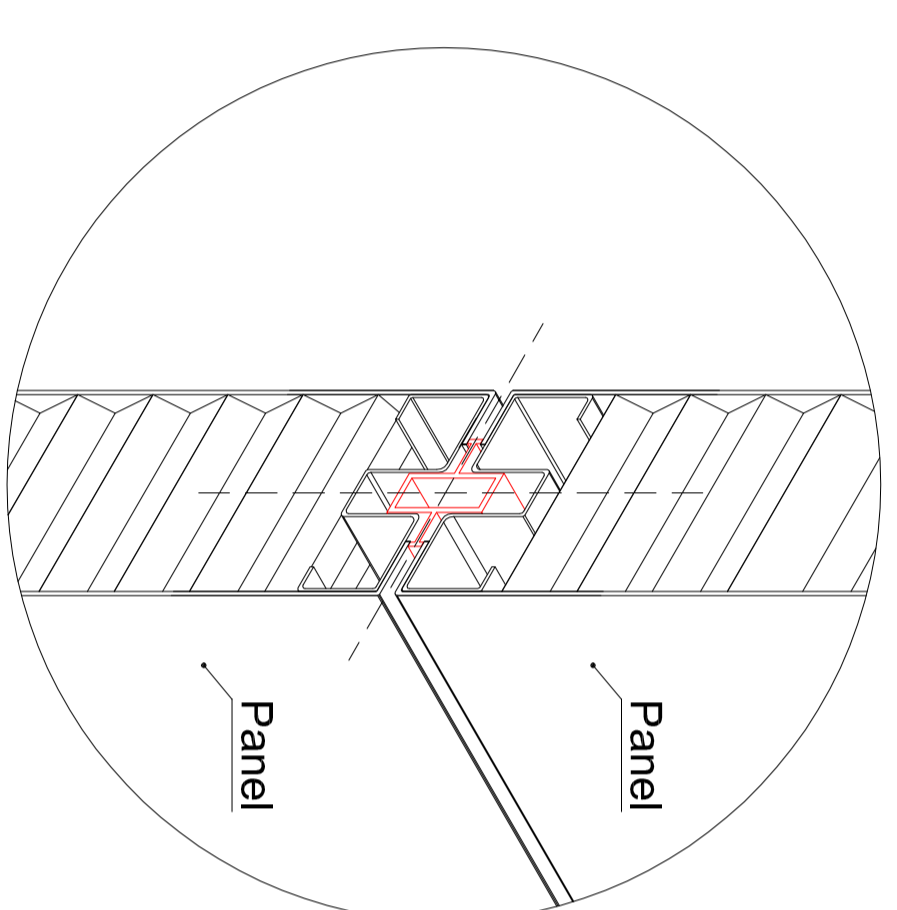
- the third letter of the code describes ending aluminium profiles:

U - standard

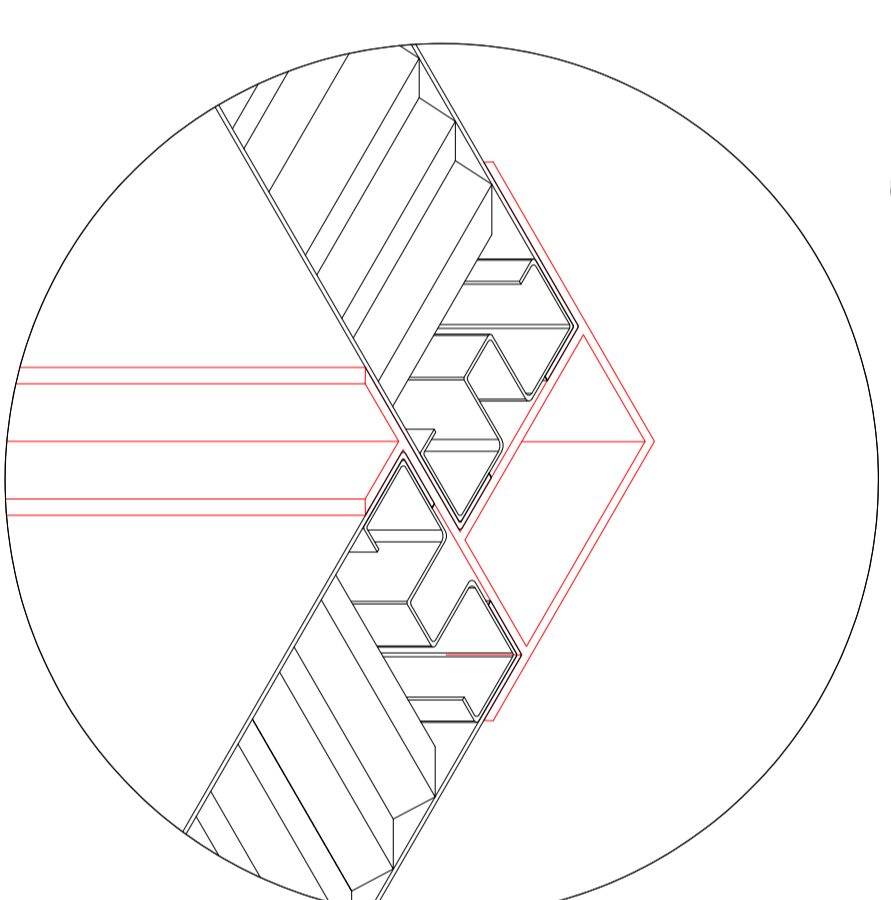
L - rounded

Q - adjustable

## F Section: horizontal panel connection



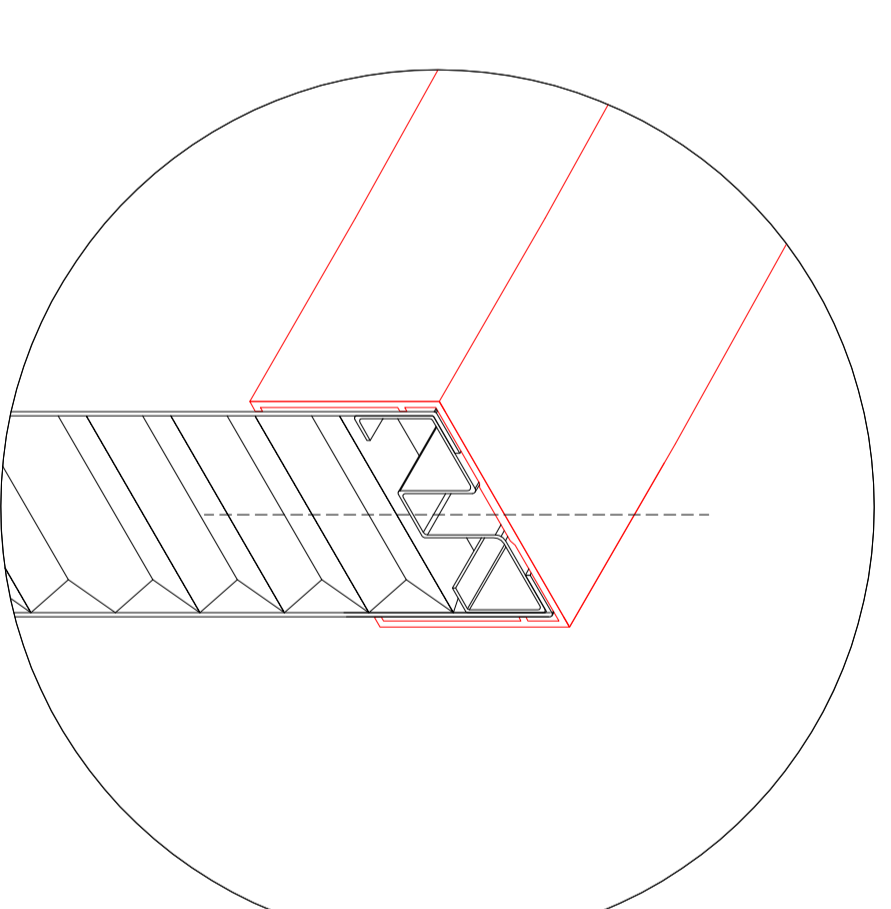
## G Corner



Description: Right angle aluminium corner  
System type: L(A,B,C,X)U - standard

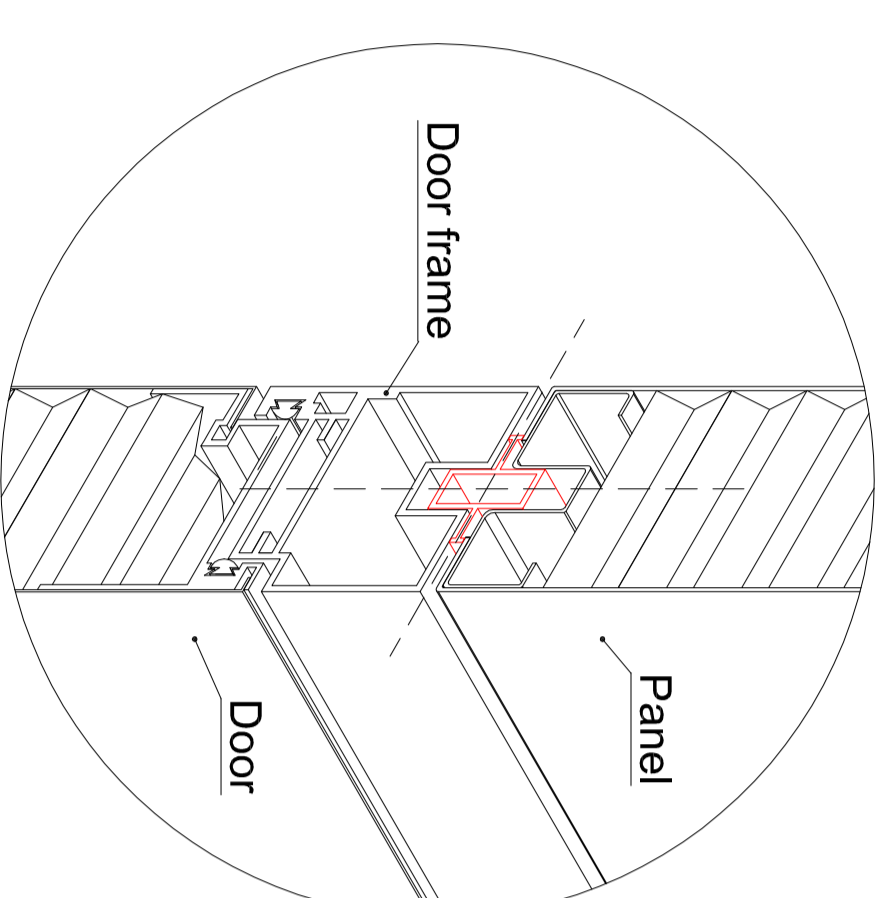
Description: Y type aluminium corner  
System type: L(A,B,C,X)U - standard

## H Wall-ceiling connection

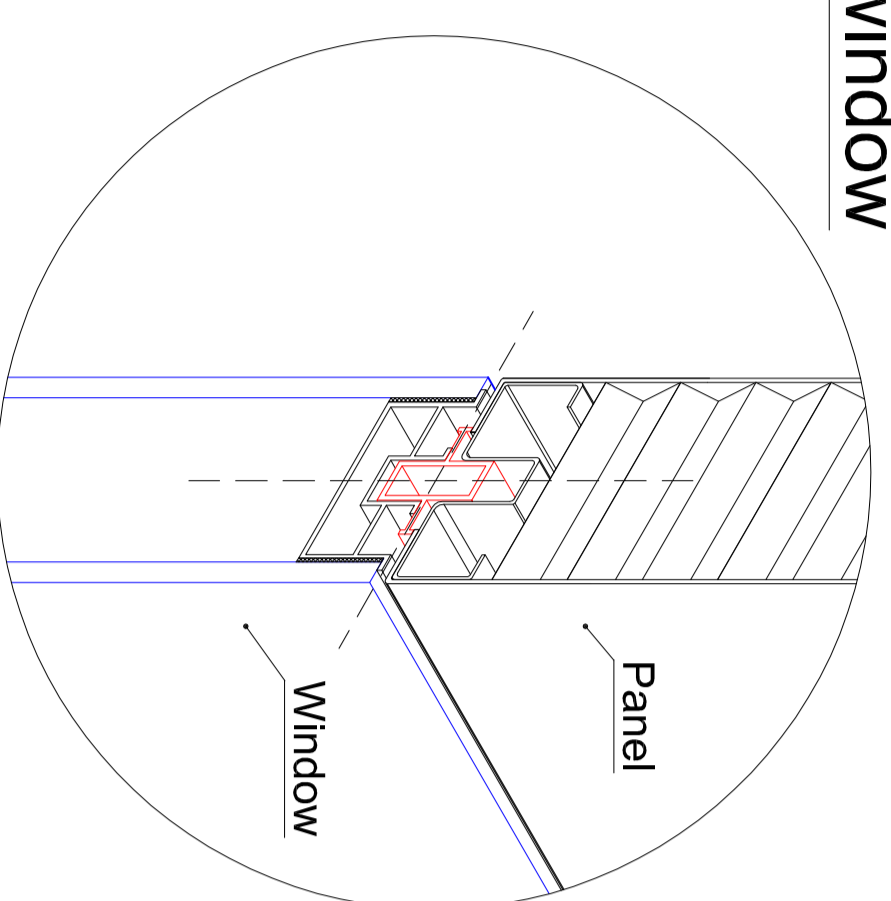


Description: aluminium U-type profile  
System type: L(A,B,C,X)U - standard

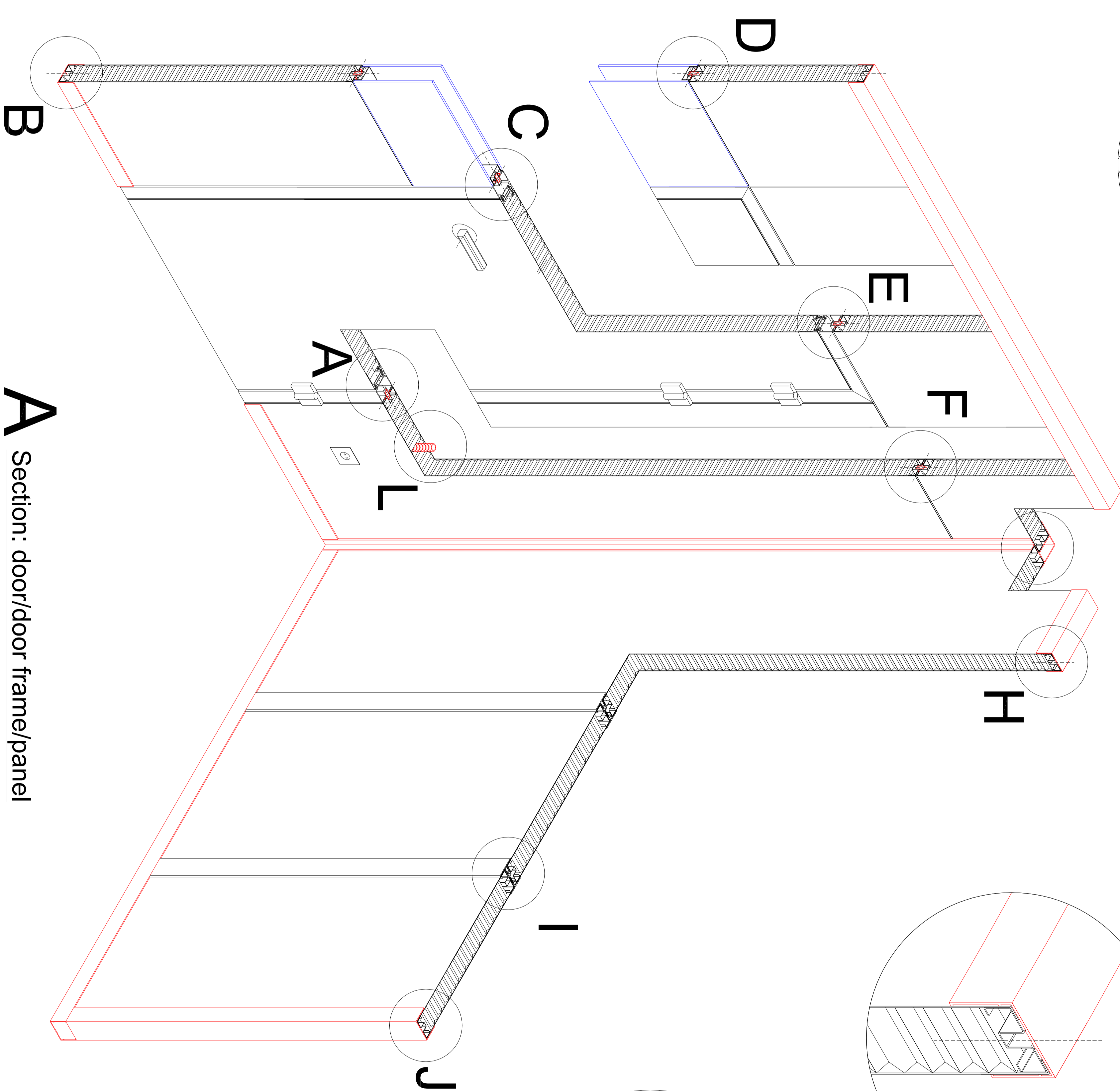
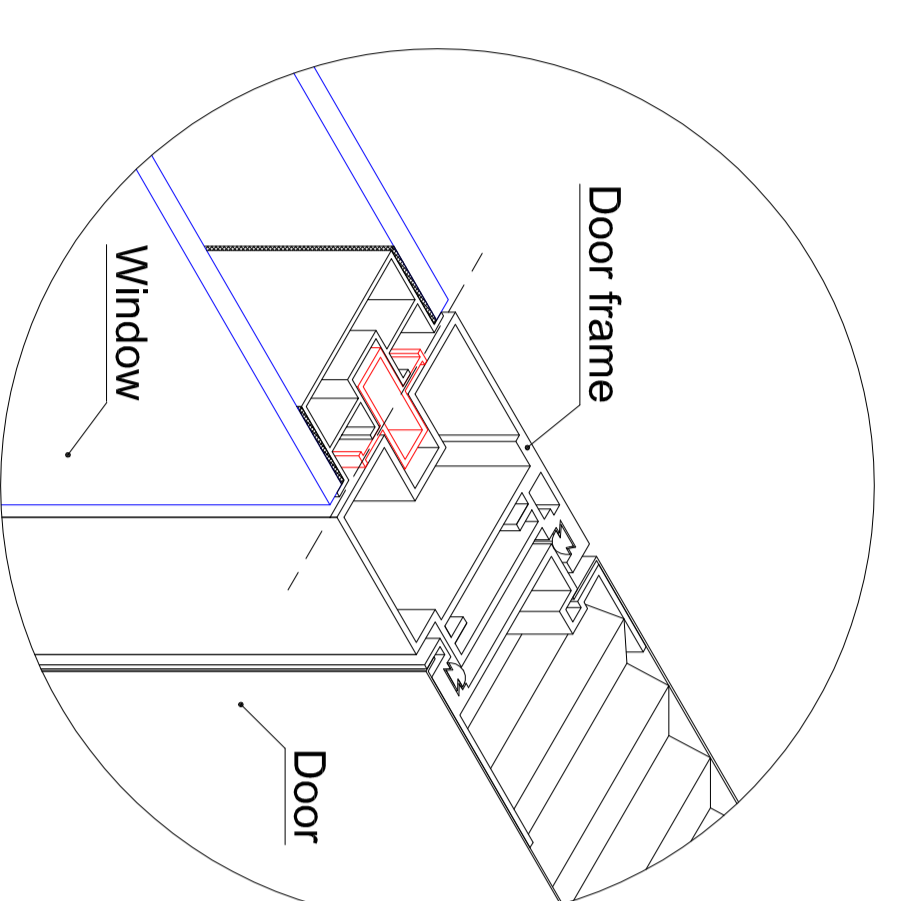
## E Section: panel/door frame/door



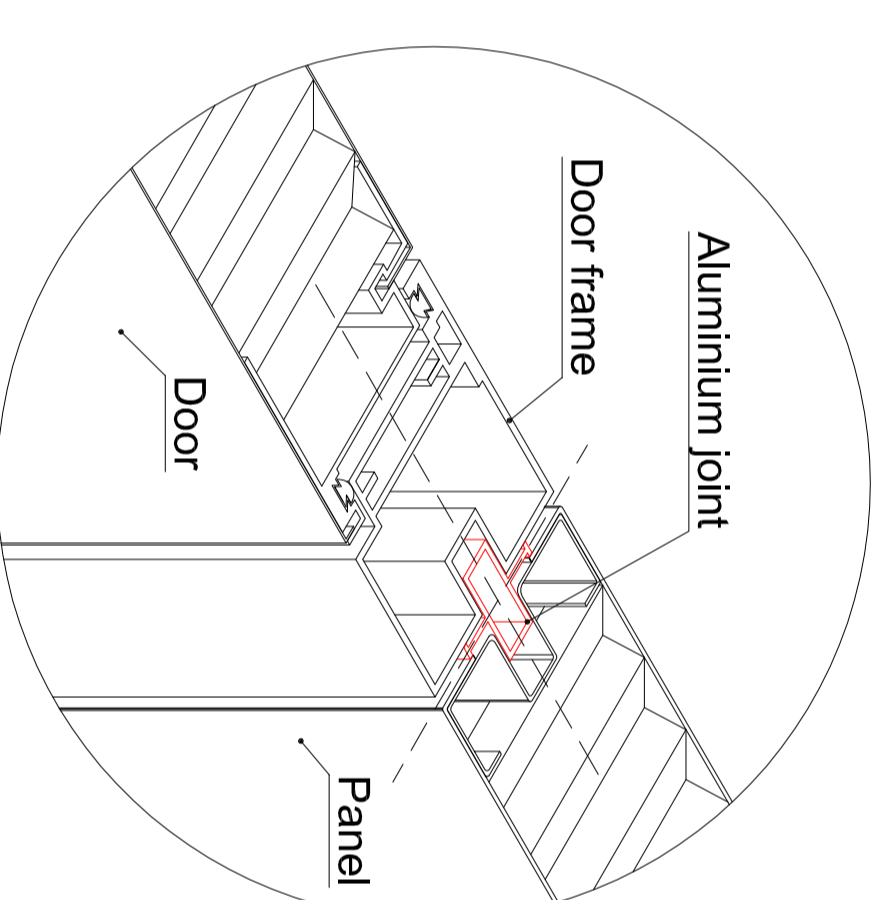
## D Section: panel/window



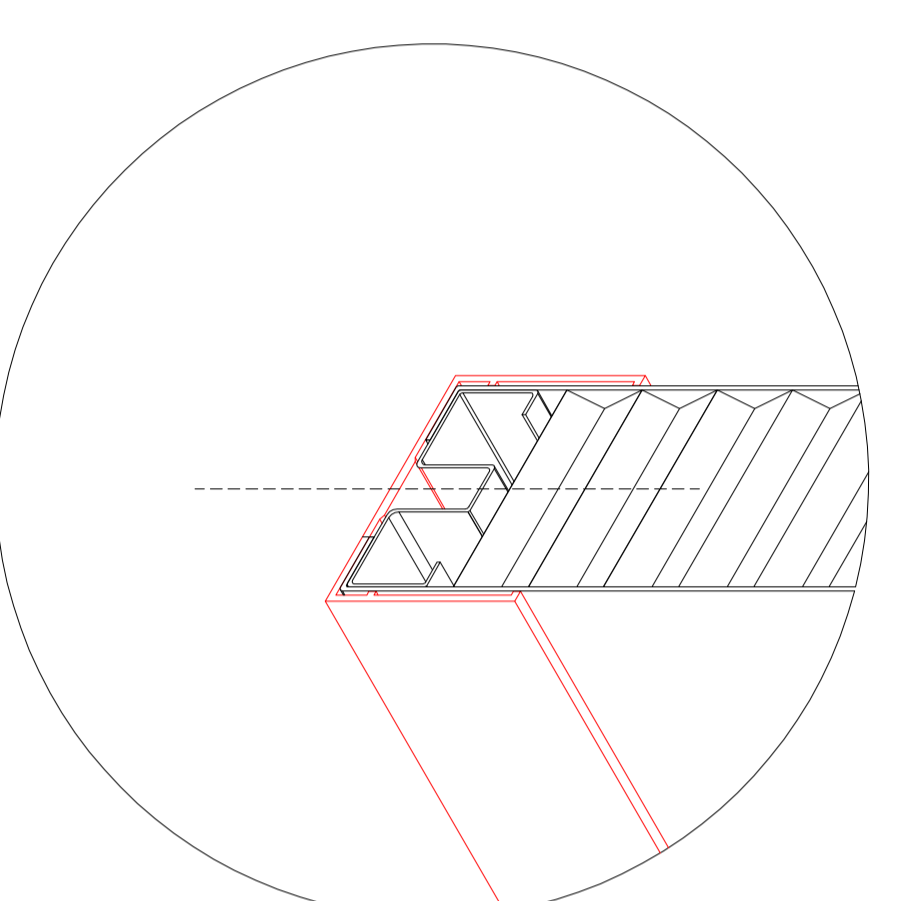
## C Section: window/door frame/door



## A Section: door/door frame/panel

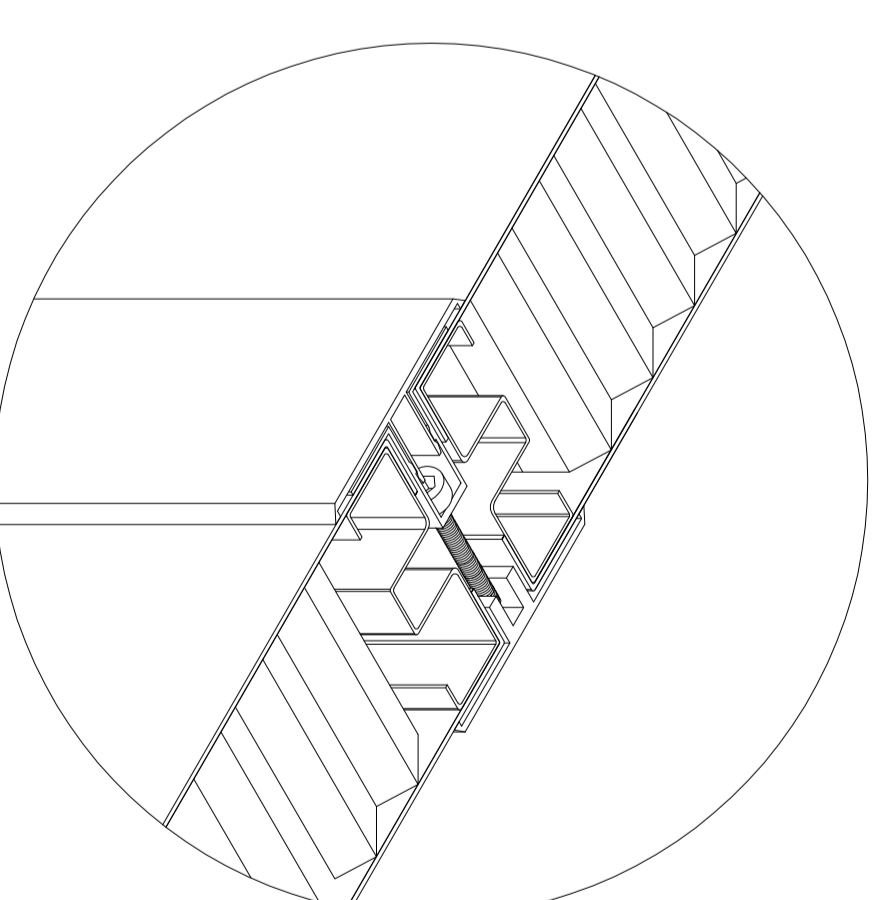


## B Wall-floor connection

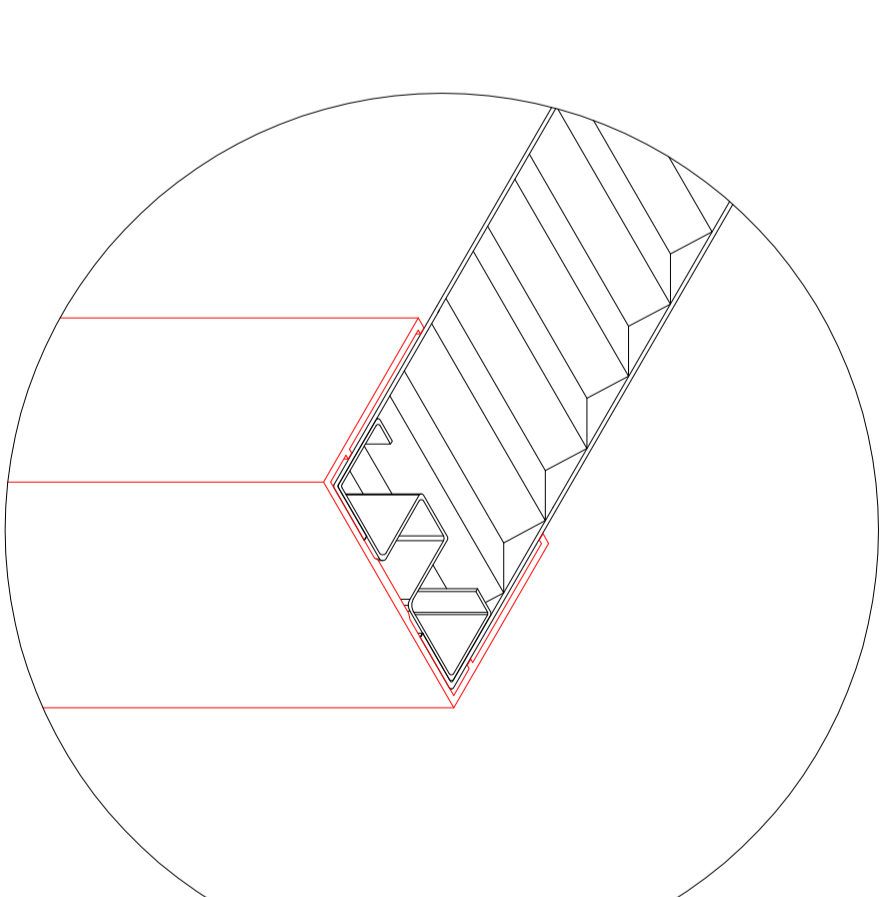


Description: aluminium U-type profile  
System type: L(A,B,C,X)U - standard

## I Demountable panel



## J Wall-wall connection



Description: aluminium U-type profile  
System type: L(A,B,C,X)U - standard

## L PCV tubes for electrical installation

