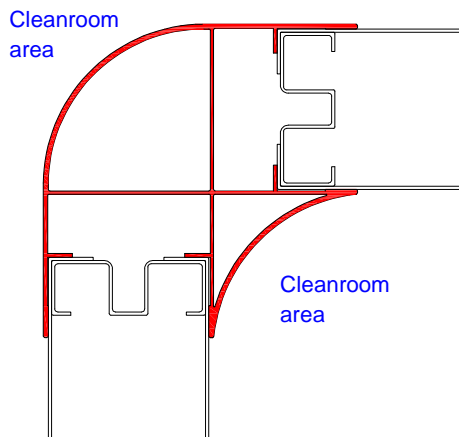
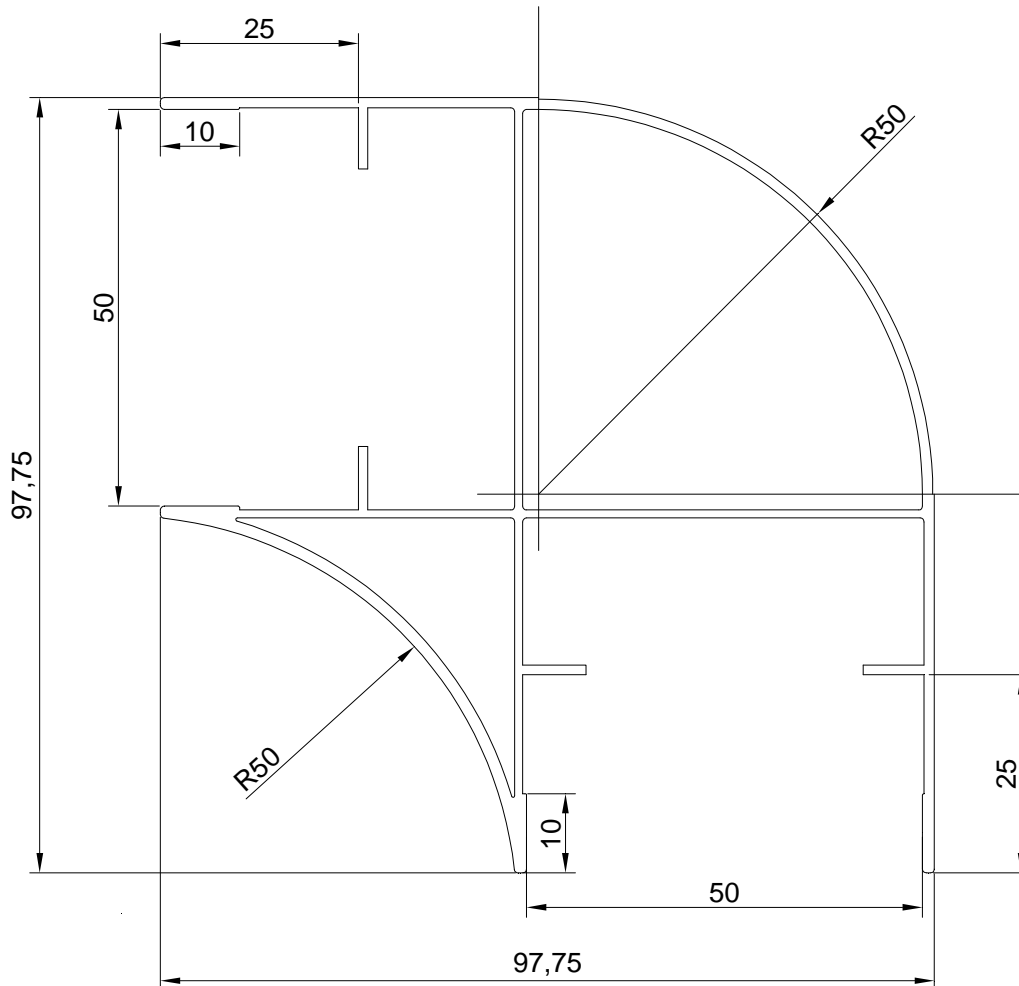


## OWAtecta CleanRoom - Accessories



**System:** L – rounded and Q – adjustable

**Description:** W1 Aluminium corner rounded from both sides



- **Material:** aluminium alloy EN AW-6063 acc. to EN 573-3, metallurgic state T5 acc. to EN 515;
- **Coatings:**
  - anodic coating  $15 \pm 5 \mu\text{m}$
  - powder coating 80 do  $100 \mu\text{m}$