

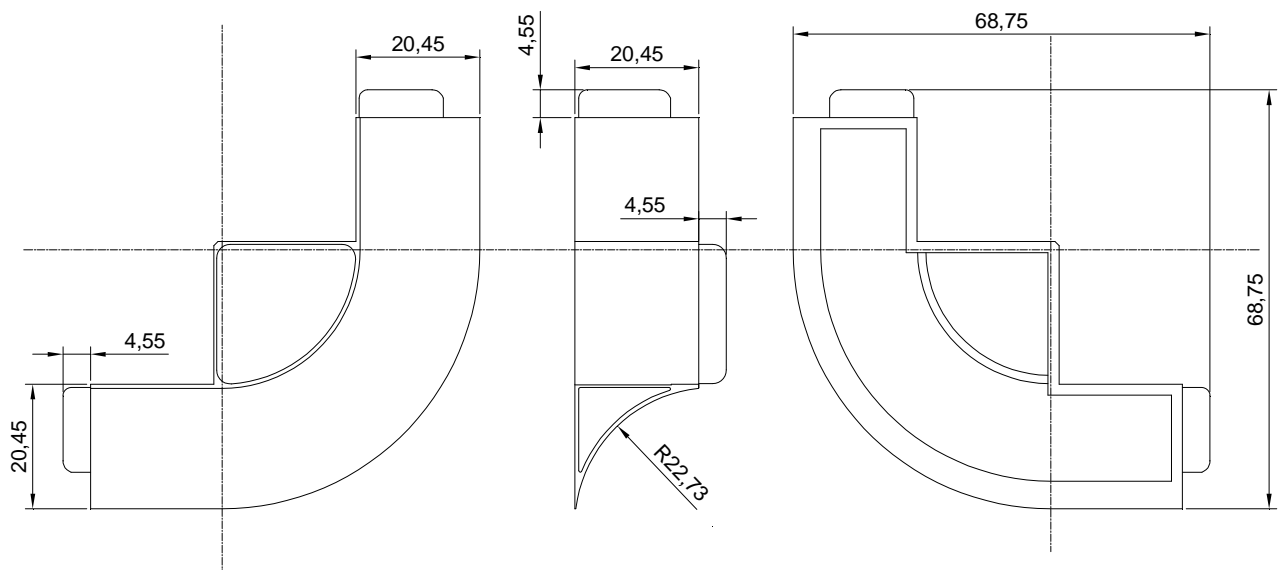
OWAtecta CleanRoom - Accessories



System: L – rounded and Q – adjustable

Description: W15 outside corner

Connection: round corner/floor (L), round corner /ceiling (L, Q)



- **Material:** aluminium alloy EN AW-6063 acc. to EN 573-3, metallurgic state T5 acc. to EN 515;

- **Coatings:**

- anodic coating $15 \pm 5 \mu\text{m}$
- powder coating 80 do $100 \mu\text{m}$

