

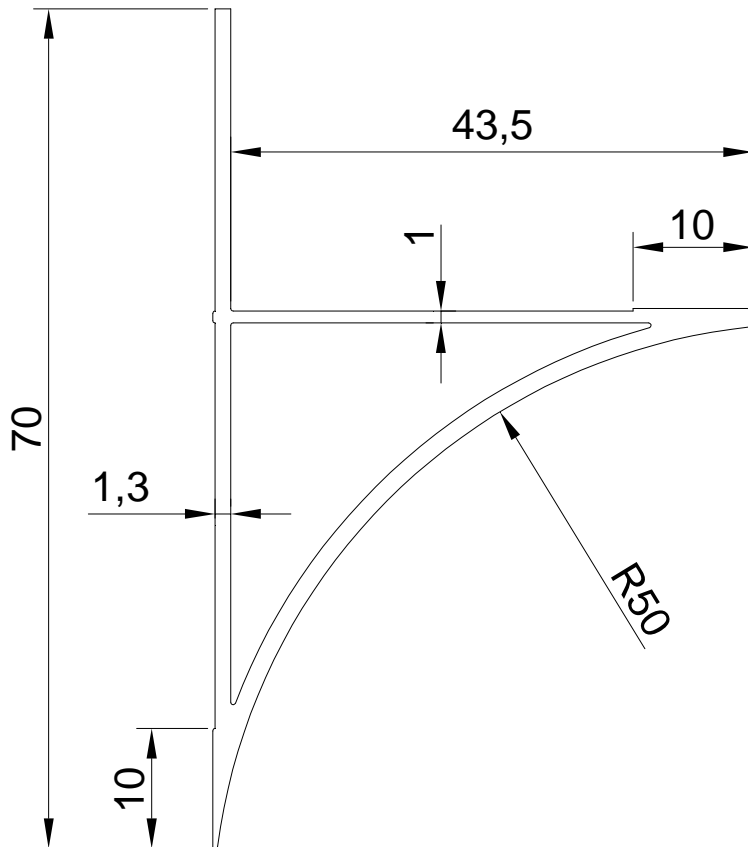
## OWAtecta CleanRoom - Accessories



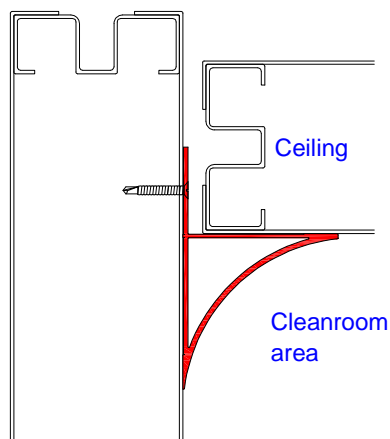
**System:** L – rounded and Q – adjustable

**Description:** W 11 Aluminium profile

**Connection:** wall/ceiling (L, Q)



wall/ceiling



- **Material:** aluminium alloy EN AW-6063 acc. to EN 573-3, metallurgic state T5 acc. to EN 515;

- **Coatings:**

- anodic coating  $15 \pm 5 \mu\text{m}$
- powder coating 80 do  $100 \mu\text{m}$

This aluminium profile can be also used with OWAtecta **S 31 Clip-in** system.