

OWAtecta cleanRoom partition system System: rounded L (LBL)

Partition code: L(A,B,C,X)L

- the first letter of the code L: prefix for partition wall

- the second letter of the code describes a core type:

A - core of panel made of aluminum honeycomb,

B - core of panel made of paper honeycomb,

C - core of panel made of mineral wool,

X - core of panel made of (XPS) foam,

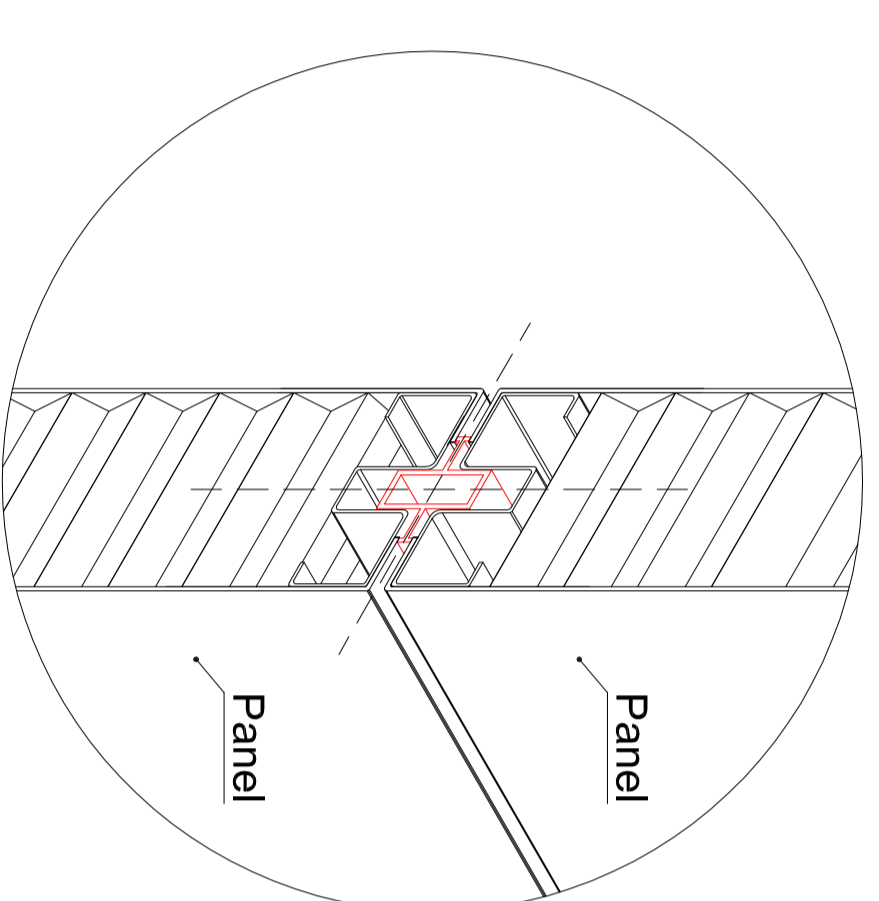
- the third letter of the code describes ending aluminum profiles:

U - standard

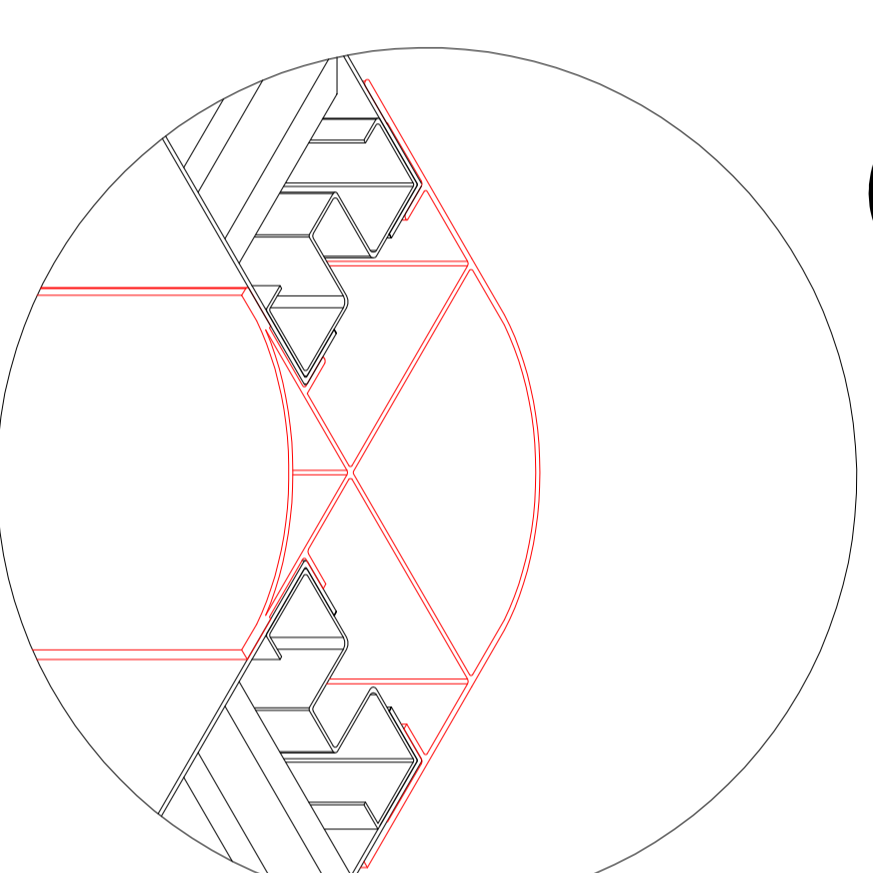
L - rounded

Q - adjustable

F Section: horizontal panel connection



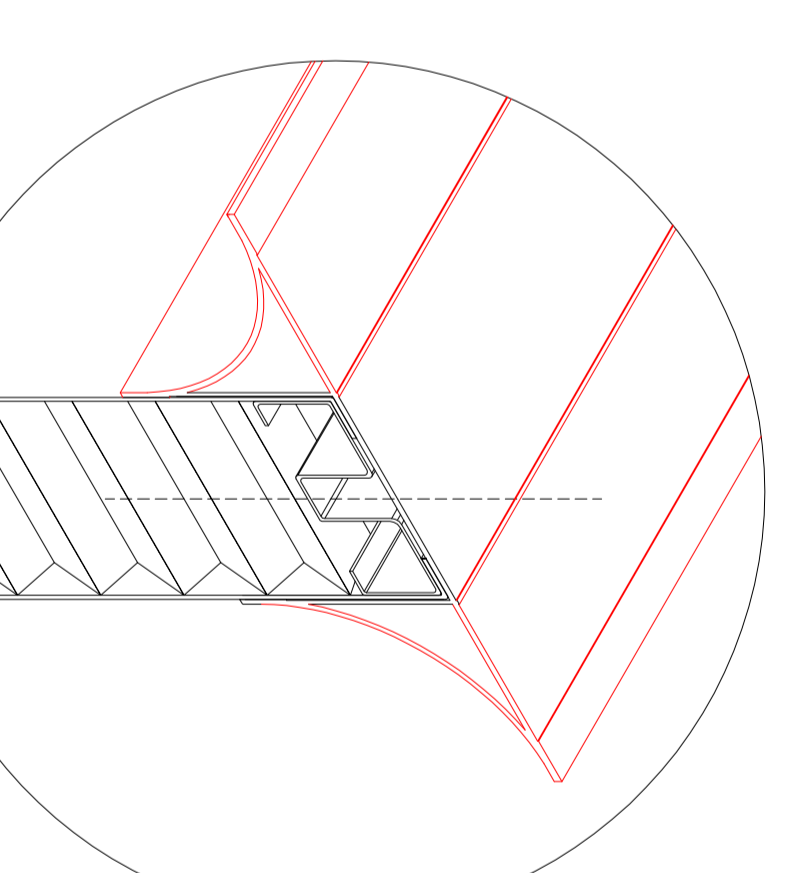
G Corner



Description: Aluminum corner rounded from one side
System type: L(A,B,C,X)L - rounded

Description: Aluminum corner rounded from both sides
System type: L(A,B,C,X)L - rounded

H Wall-ceiling connection types:

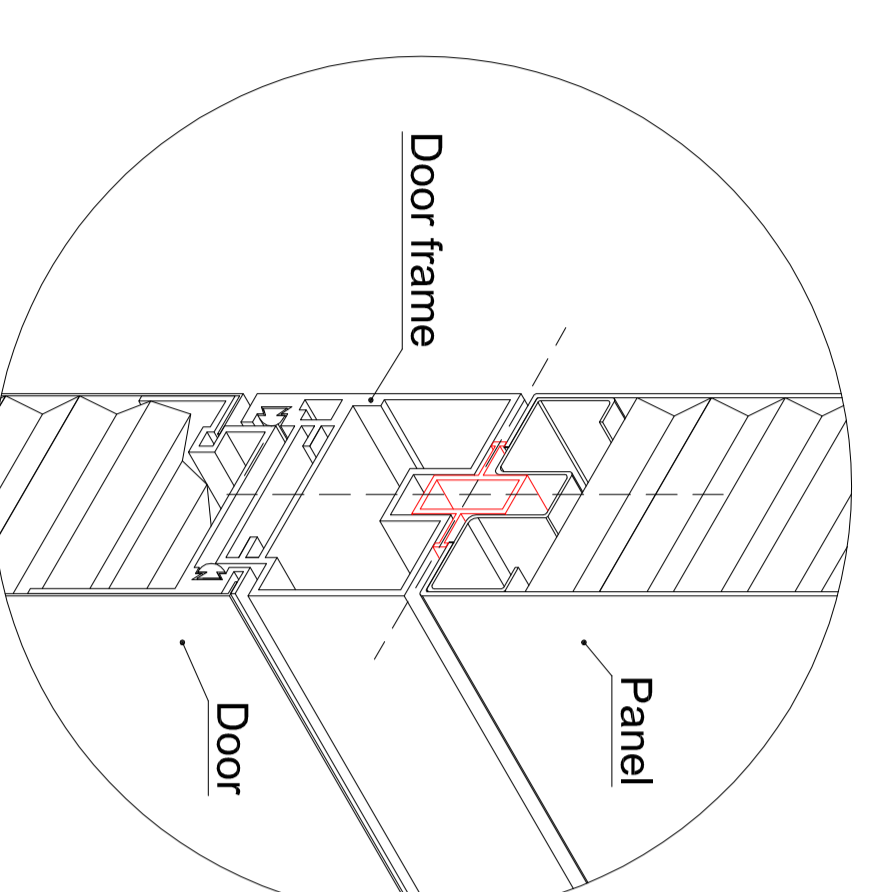


Ceiling
Description: aluminum profile rounded from one side
System type: L(A,B,C,X)L - rounded

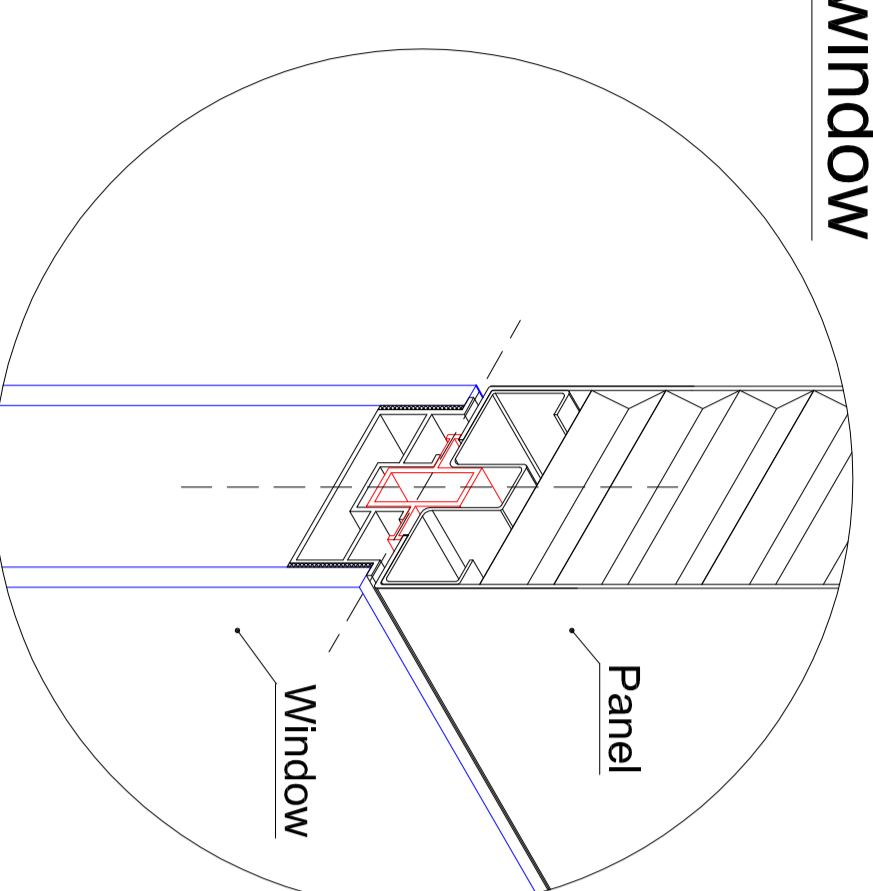
Ceiling
Description: aluminum profile rounded from both sides
System type: L(A,B,C,X)L - rounded

Walkable ceiling or OWAtecta S 31 Clip-in system
Description: aluminum ceiling rounded profile
System type: L(A,B,C,X)L - rounded

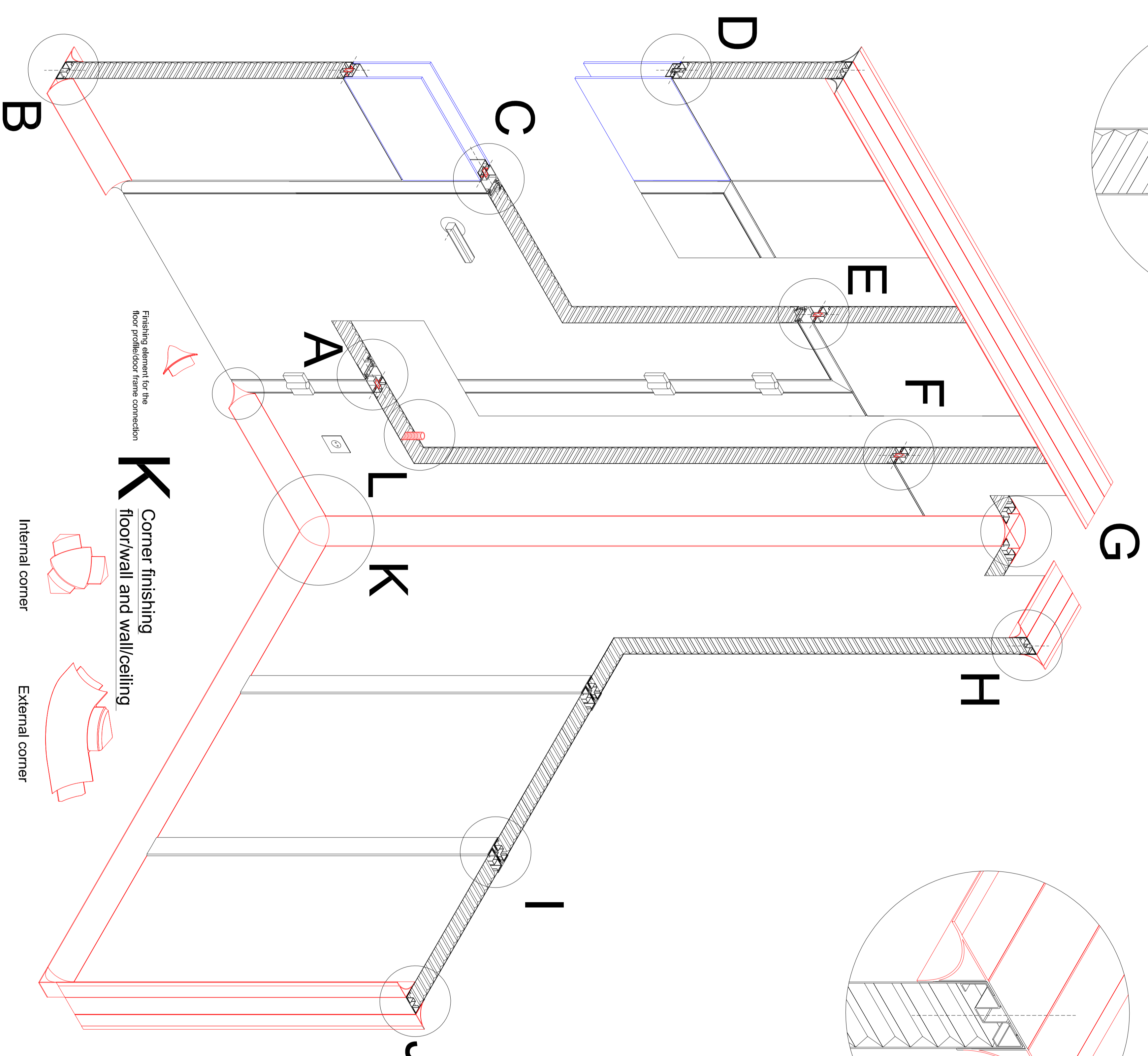
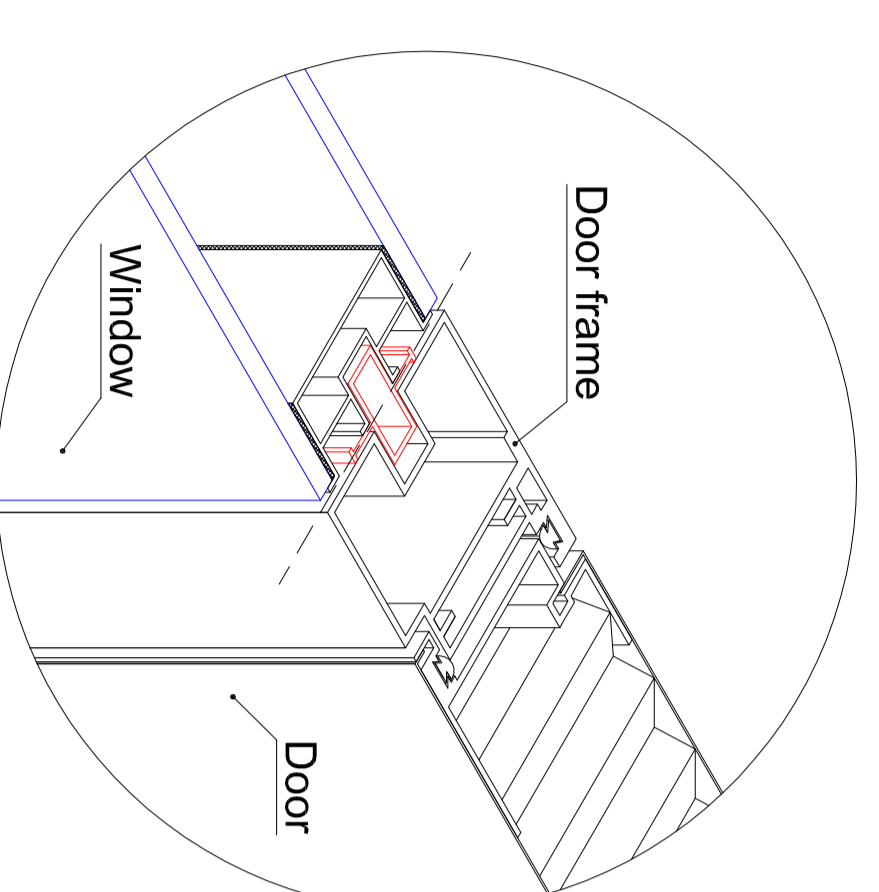
E Section: panel/door frame/door



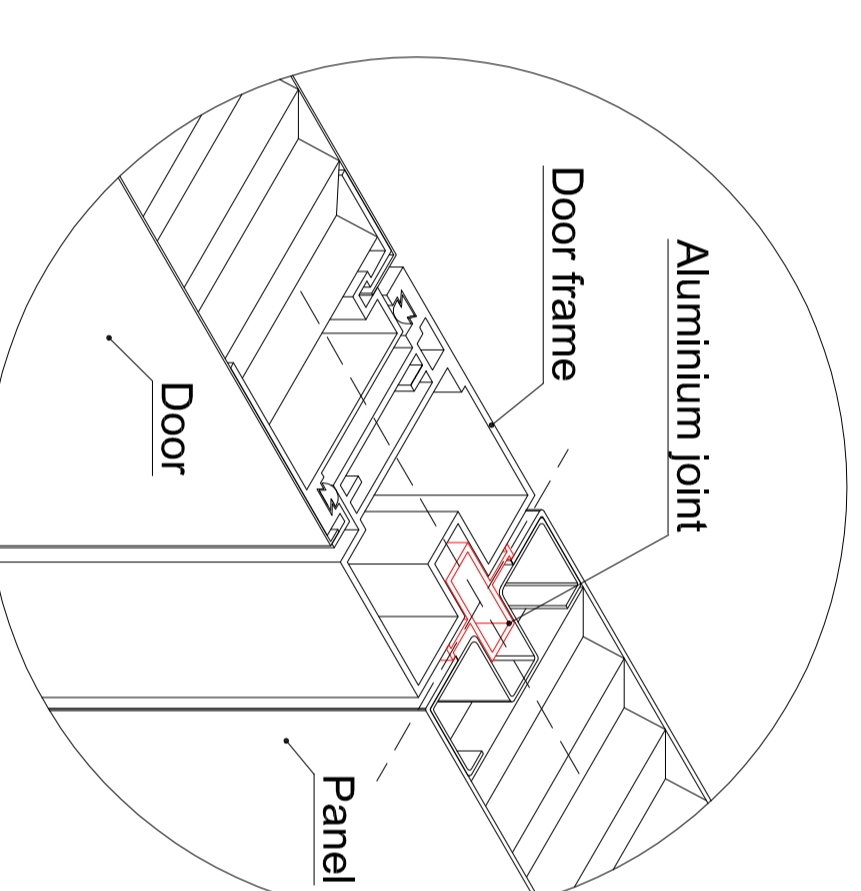
D Section: panel/window



C Section: window/door frame/door

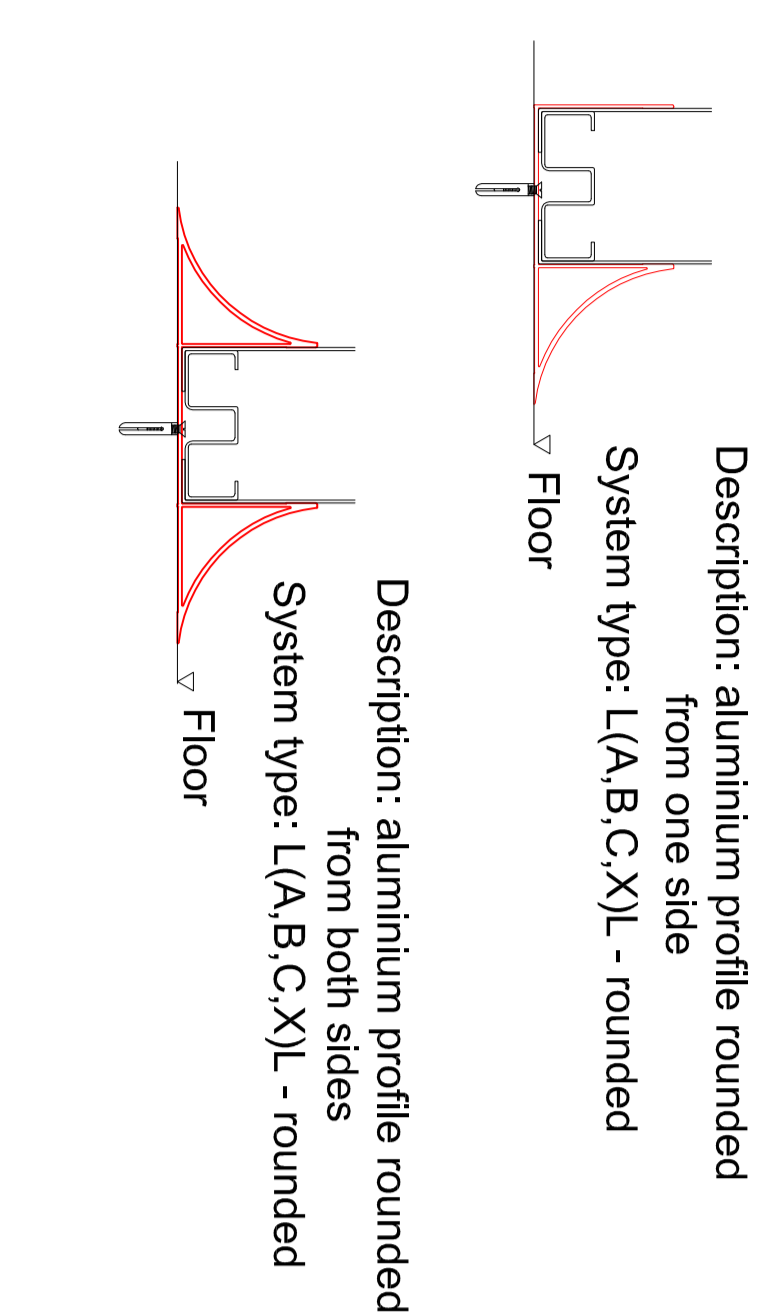


A Section: door/door frame/panel



Corner finishing floor/wall and wall/ceiling
Internal corner
External corner

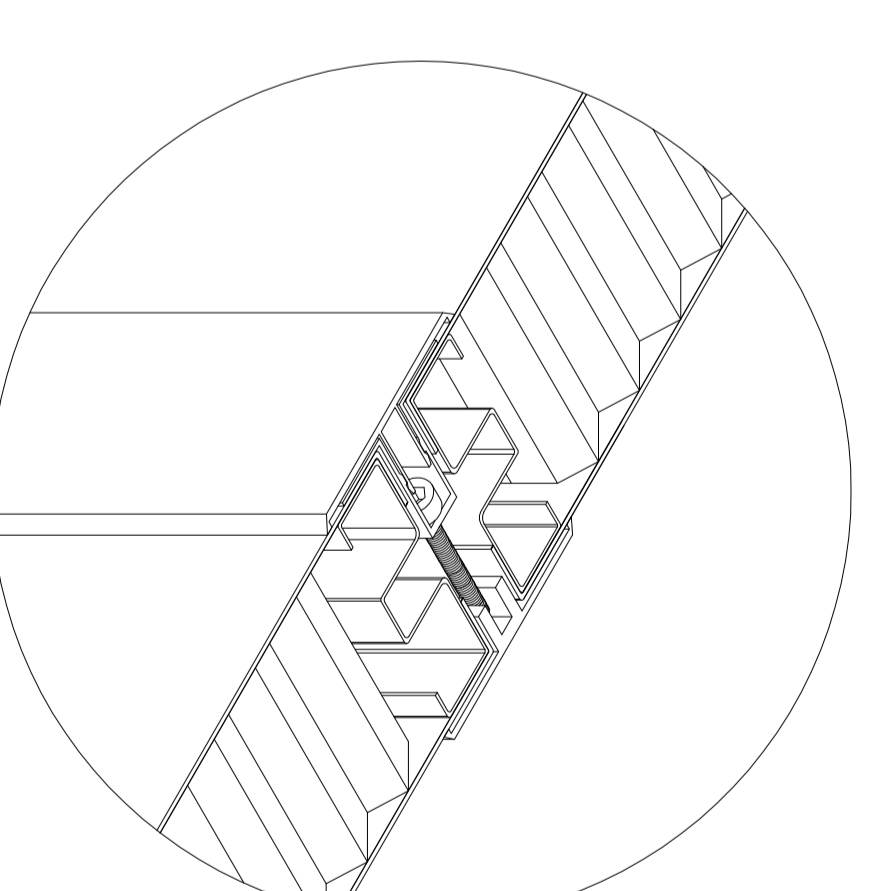
B Wall-floor connection types:



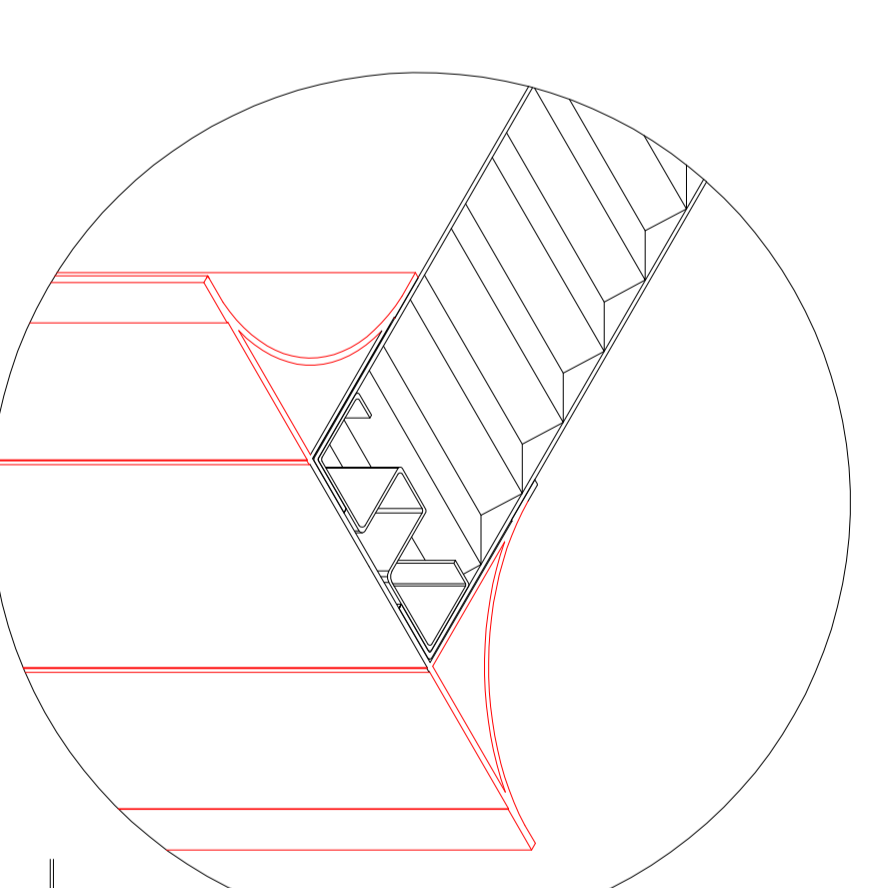
Description: aluminum profile rounded from one side
System type: L(A,B,C,X)L - rounded

Description: aluminum profile rounded from both sides
System type: L(A,B,C,X)L - rounded

I Demountable panel



J Wall-wall connection types:



Wall
Description: aluminum profile rounded from one side
System type: L(A,B,C,X)L - rounded

Wall
Description: aluminum profile rounded from both sides
System type: L(A,B,C,X)L - rounded

L PCV tubes for electrical installation

