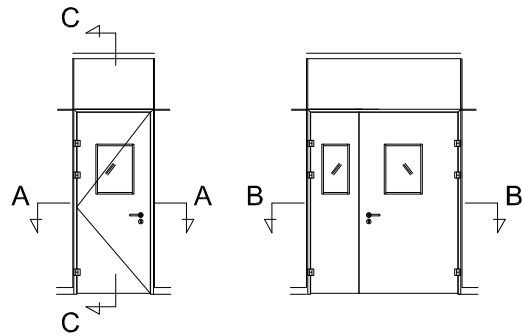


OWAtecta CleanRoom – main elements of the system

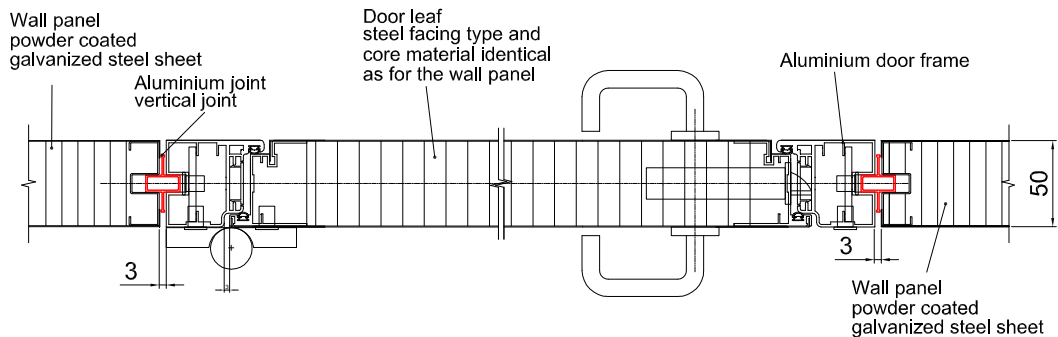


One and double leaf doors dedicated to clean rooms.

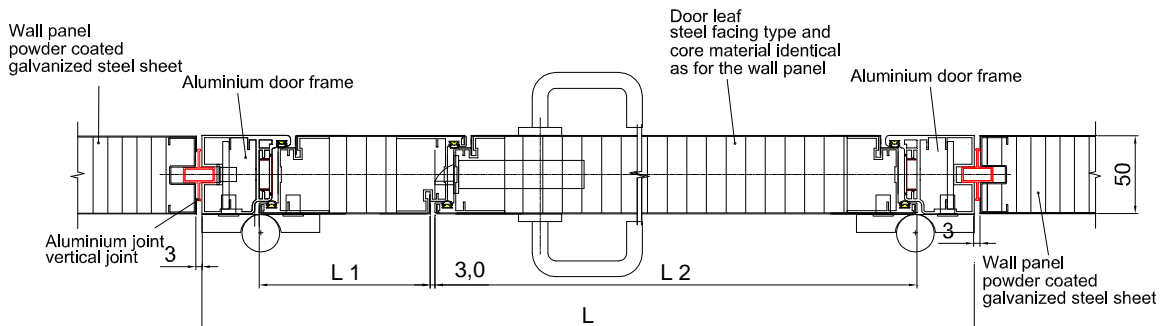
- OWAtecta cleanRoom partition system includes single and double leaf doors which similarly to the Windows has been designed as a part of the system with easy assembly.



Door frame and door leaf thickness is identical as the wall panels – 50mm. The door frame is designed and shaped to use the same aluminium profile as a connector like in the case of a wall panels.



A-A



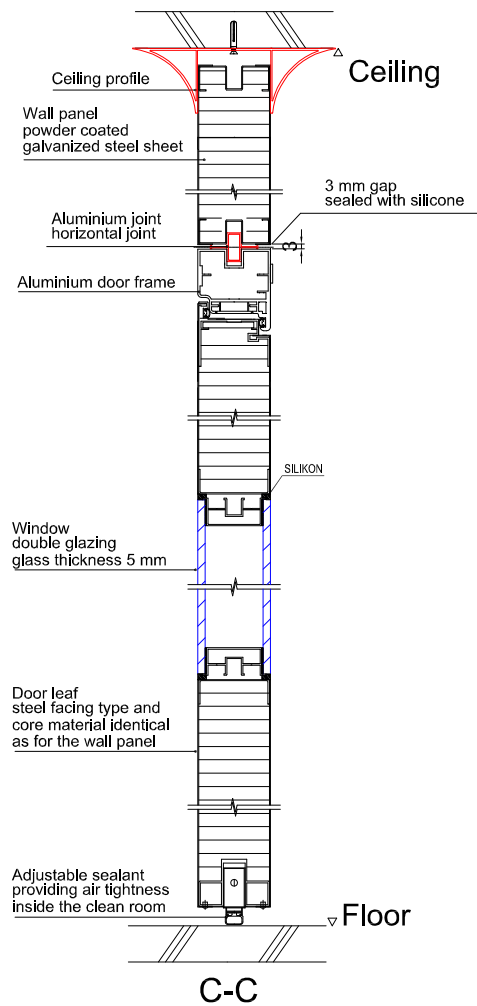
B-B

OWAtecta CleanRoom – main elements of the system



One and double leaf doors dedicated to clean rooms.

- Thickness of the aluminium frame and the door leaf is always 50 mm;
- Steel grade used for a metal facing: CS Type B Z100 according to ASTM A 653/A 653M). The same steel grade is used for wall and ceiling panels;
- Available core materials of the door leaf:
 - Mineral wool (density 85-115 kg/m³)
 - XPS foam (density 38 kg/m³)
 - Paper honeycomb
 - Aluminium honeycomb
- The door leaf can be delivered with a system window. Window consists of two 5mm thick safe glasses and provides a smooth connection with wall surface.
- **Door dimensions can be adjusted to meet customer's demands.**
- Maximum size of the door leaf is 1160x3000 mm.
- Standard color is white, close to RAL 9002. It is possible to customize color;
- Each door is equipped with the adjustable cushion which provides air tightness inside the clean room.
- Doors can be delivered with a complete magnetic lock system



OWAtecta CleanRoom – main elements of the system



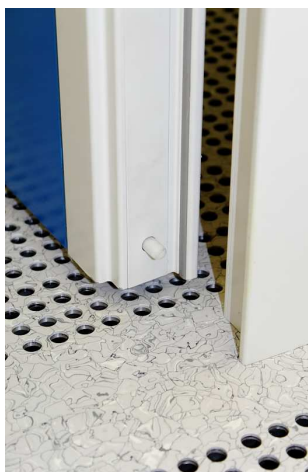
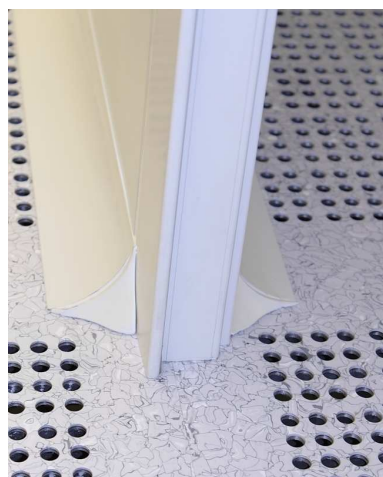
One and double leaf doors dedicated to clean rooms.



Wall/floor connection

Adjustable cushion regulation

Rounded part of the lock is easier to clean



OWAtecta CleanRoom – main elements of the system

One and double leaf doors dedicated to clean rooms.



