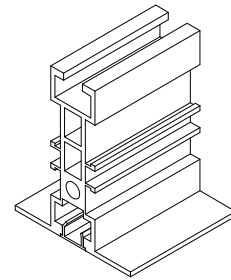
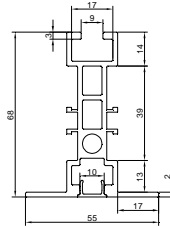


OWAtecta CleanRoom - ceilings



C – grid system

C-grid ceiling system is used as lower ceiling in the plenum area. Standard module is 1200x1200mm which allows to assemble the FFU units or the custom made lamps. The C-grid profiles are joined together with the use of X, T, L type aluminum joints and screw.



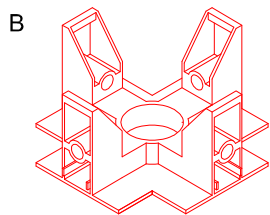
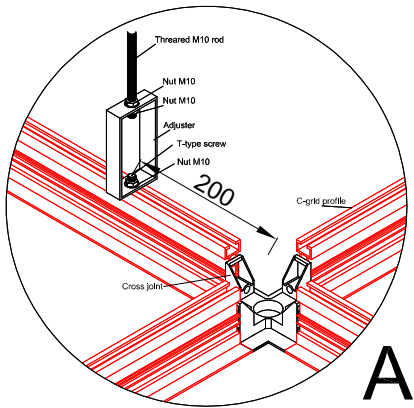
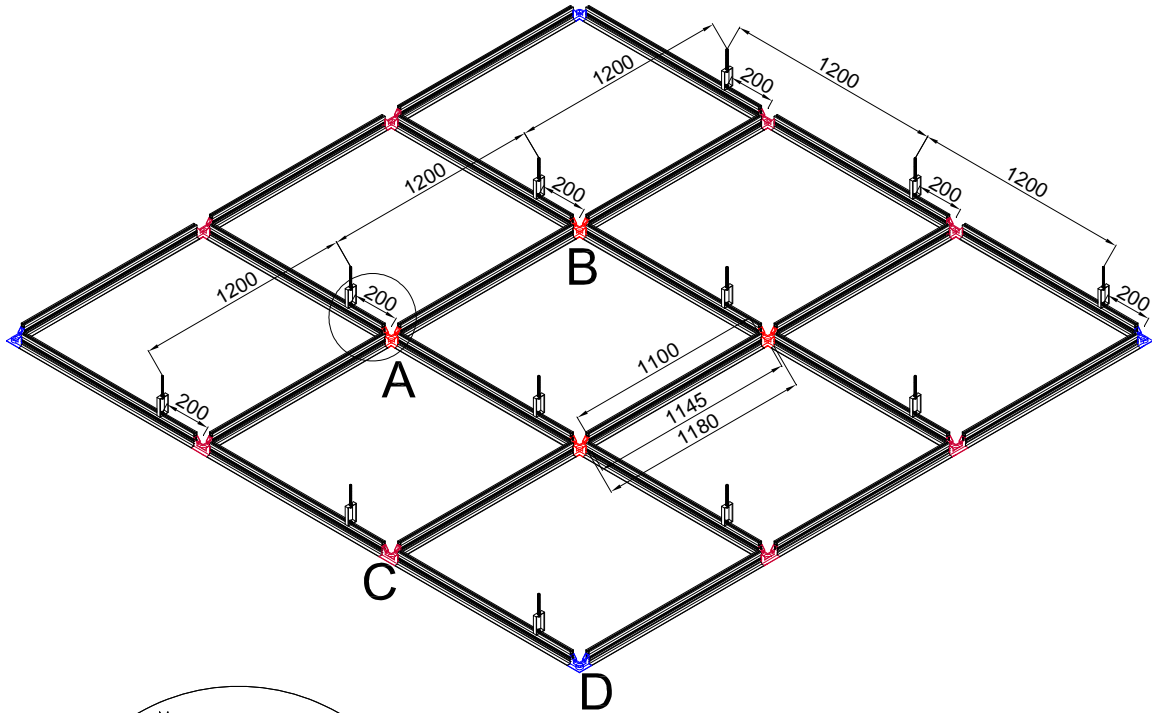
- **Material:** Aluminum alloy EN AW-6063 according to EN 573-3, state T5 according to EN 515
- **Coating:**
 - Anodic coating of the thickness of $15 \pm 5 \mu\text{m}$;
 - Powder coating of the thickness of 80 to 100 μm
- **Distance between hangers: (width x length):**
 - 1100 x 1200 mm
 - 600 x 1200 mm
- **Reaction to fire class in accordance with EN 13501-1:**
 - B-s2,d0 (all core types) panel
 - A2-s2,d0 - T painted aluminium profile
- **Hygienical atestation:**
 - PZH (National Institute of Hygiene) Report no HK/B/1231/01/2010
- **CE marking:**
 - The OWAtecta cleanRoom ceiling system is CE marked in accordance with EN 13964.
- **Panel thickness:**
 - 50 mm
- **Core types:**
 - Paper honeycomb
 - Aluminium honeycomb
 - XPS foam
- **Color**
 - Standard white, close to RAL 9020

OWAtecta CleanRoom - ceilings

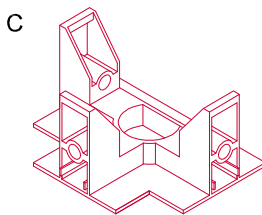


C – grid system

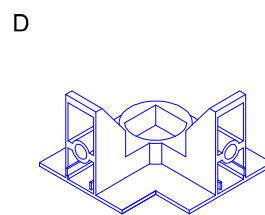
C-grid ceiling model with the main elements



Cross joint



T-type joint



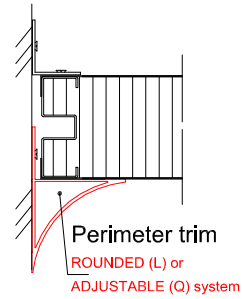
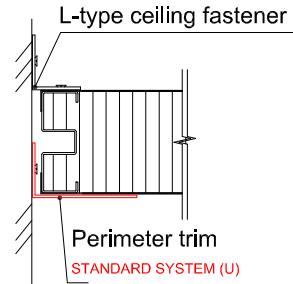
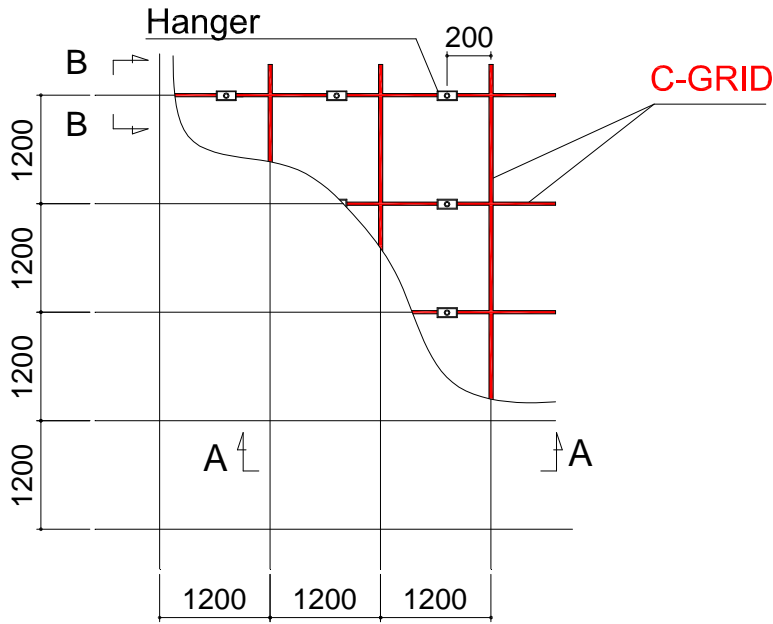
L-type joint

OWAtecta CleanRoom - ceilings

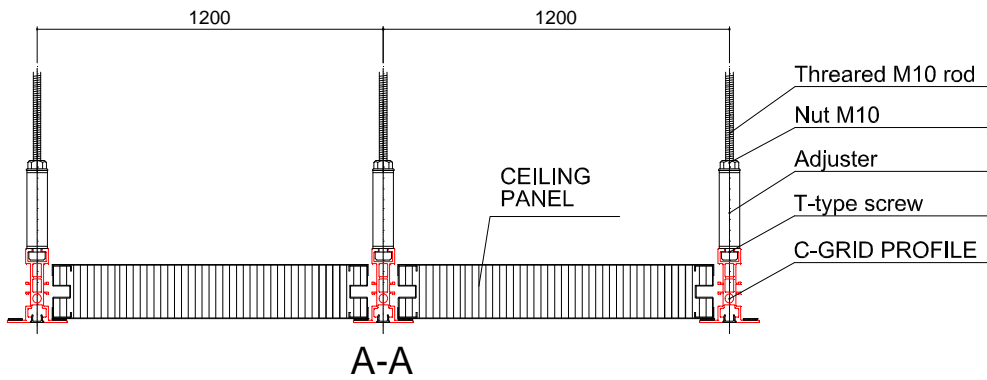


C – grid system

C-grid



B-B

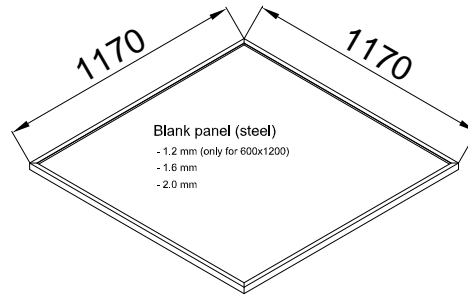
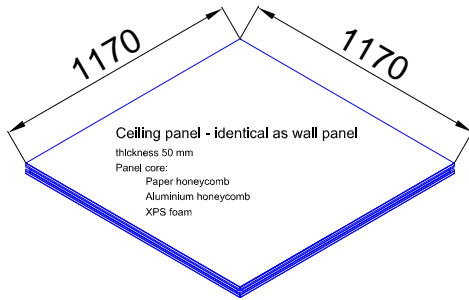


OWAtecta CleanRoom - ceilings



C – grid system

Infill types for the aluminium frame



There is a possibility to use a different panel modules than 1200x1200

In case of installing a lamp next to the panel, the additional C-grid profile should be used.

